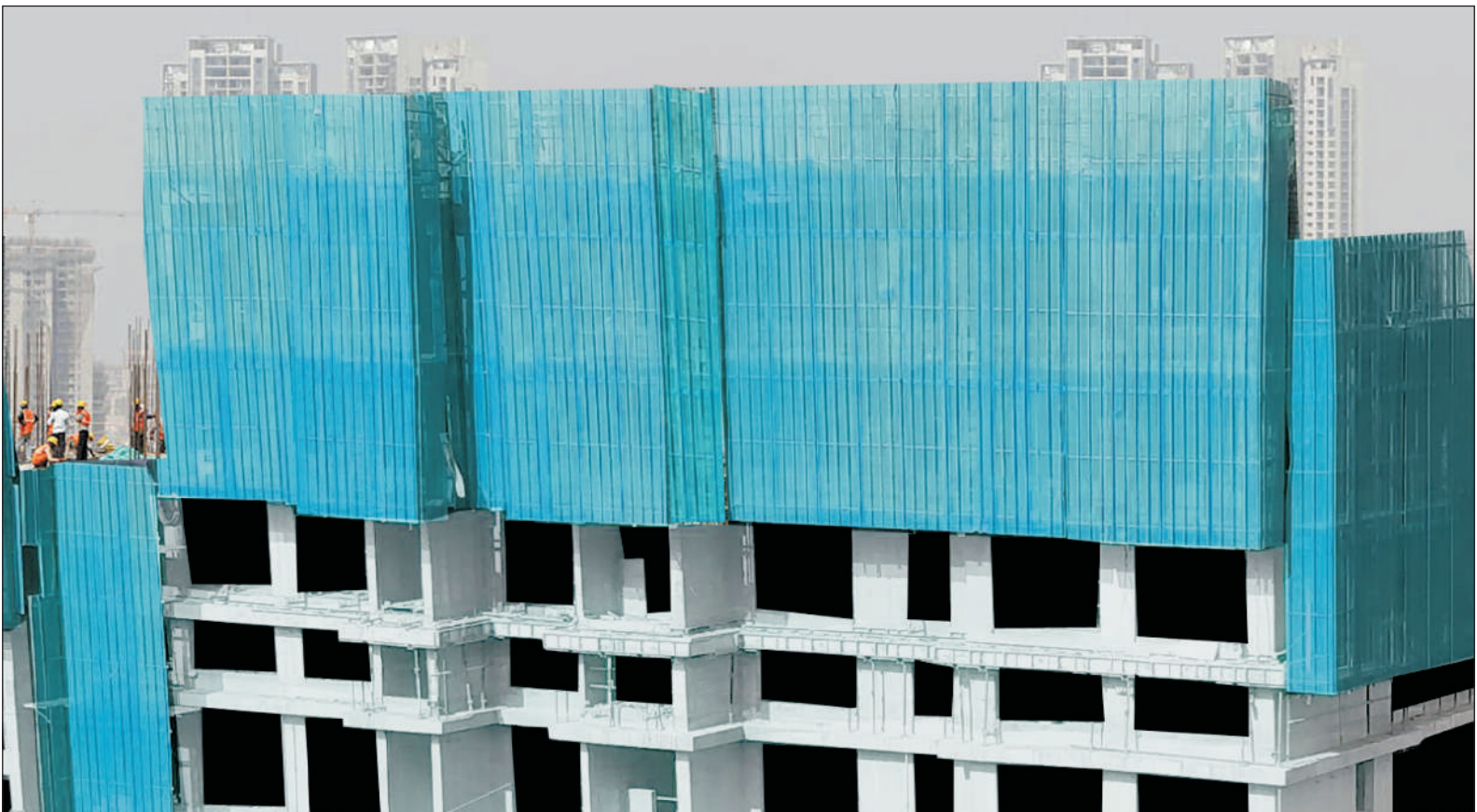


MAX WIND SCREEN





**INNOVATIVE DESIGN
ASSURING QUALITY
EXCELLENT SERVICE**

**UNIMAX
INTERNATIONAL**



Mr. Rajesh Sharma
CMD



Mr. Nitin Sharma
MD

We embarked on a Mission Journey 28 years ago in 1989 with a vision to provide the best of the global technologies for Indian Construction Industry. It may be easier to stick to the conventional construction methods, while the industry has glittered with glorious changes the world over. We took this challenge by adopting through our innovative greener techniques to develop an indigenous, yet affordable and viable, import substitute for the Indian Construction Industry, of course, beneficial to the urban environment.

The Max formwork has been consistently striving to work towards the requirement of its customers while bringing the innovative solutions with the emerging trends in the construction industry with its experienced and dedicated personnel at its R & D center. We believe there is always an opportunity to bring automation and better system such as Robots, improvised welding system and new technologies from other developed industrial countries. With the same vision, we are soon going to introduce Stir Fabrication Welding Techniques to Indian Construction Industry which is being used by the Aerospace Industry globally that will set the benchmark in India.

We also think beyond tall buildings hence considering the future of construction development which gives us a wider perspective and fresh ideas when it comes to design the living spaces such as condos, skyscrapers, skylines and office spaces being built in major cities around the world.

Architects and designers have given us exciting ideas which will define the way we live and the kind of living that the next generation will experience. More importantly, as these buildings are constructed, experts should ensure that every material and every action taken in the construction process will minimize the hazards of environmental damages and that's where MAX Formwork has expertise to bring the Innovative Solution at your doorstep to challenge the future of construction.

MAX GROUP OF COMPANIES

UNIMAX INTERNATIONAL

MAX INDUSTRIES

MACO OVER SEAS

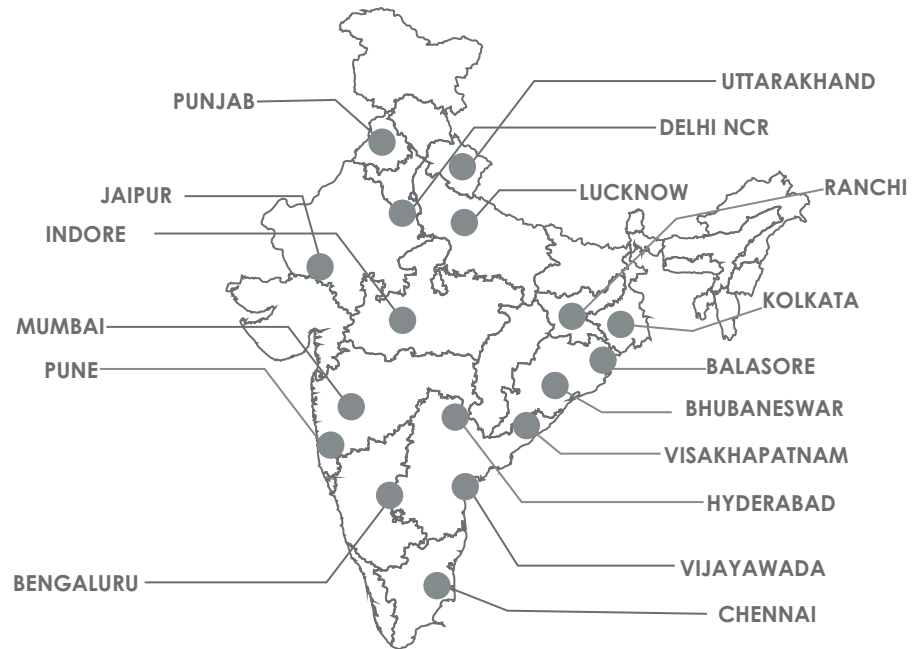
UNIMAX SCAFFOLDING

MAX SCAFFOLDING SYSTEM

Contents

1 Company Milestones, 2 About us, 3 Introduction, 4-5 Detail of Components, 6-10 Installation Process, 11-13 Assembling Process.

PAN India Presence of MAX Group



Max Group Factories

Plant No 1 - Plot No. 1&10, Sector 7,SIDCUL, Integrated Industrial Estate Rudrapur, Uttarakhand (India)

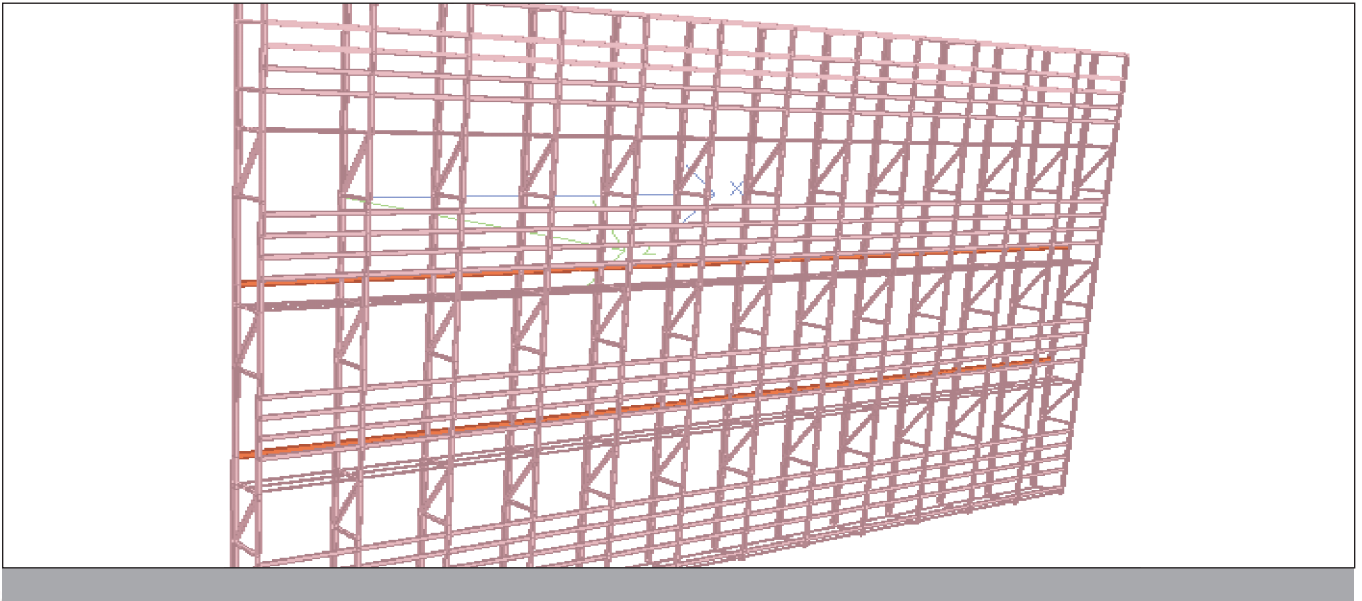
Plant No 2 - 1291-92, HSIIDC, Industrial Area, Rai, Sonipat, Haryana (India)

Plant No 3 - 1293-94, HSIIDC, Industrial Area, Rai, Sonipat, Haryana (India)

Company Milestones

We believe in kaizen, hence continuous learning helps us to adopt the best industry practices to provide best of the services to our customers. It has been a great journey while providing State-of-the-art services to various customers while setting up standards for the Industry with our best practices developed over a period of time.

1989	Establishment of Max Group
1990	Starting of Forging and casting of scaffolding components
1993	Starting Export of Scaffolding components to Middle East
1997	Starting of manufacturing Steel Formwork system
2004	Establishment of hiring division of Formwork material in India
2009	Developed Max Aluminium Formwork system
2010	Establishment of Mass Aluminium Formwork Production system for monthly capacity of 20,000 Sqm
2011	Completion of First formwork order of 11,000 Sqm Aluminium Formwork system
2012	Completion of second plant for the manufacturing of different Formwork system
2014	Developed MaxDeck Formwork system
2015	Developed MaxTable Formwork system
2016	Initiated R&D on automatic climbing system
2019	Protection Screen for highrise structures
2020	Introduction of Robotic Welding & Automation



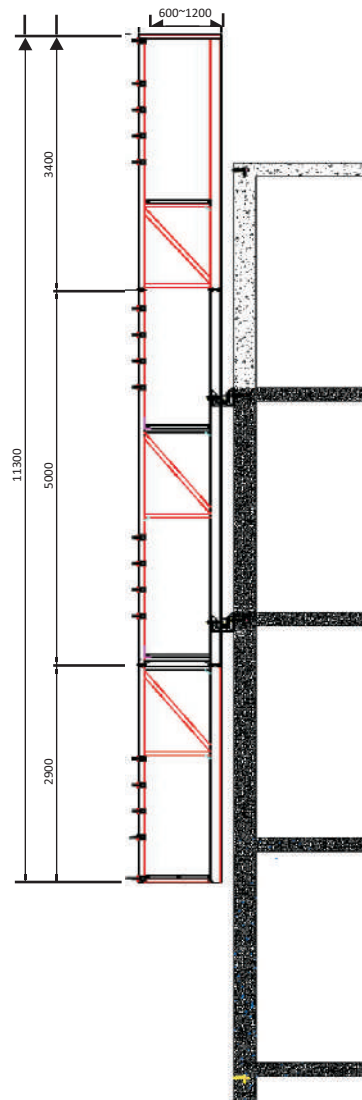
About us

Unimax International is an established environment friendly organization in Aluminium Formwork Industry serving the construction industry with updated and customized solutions.

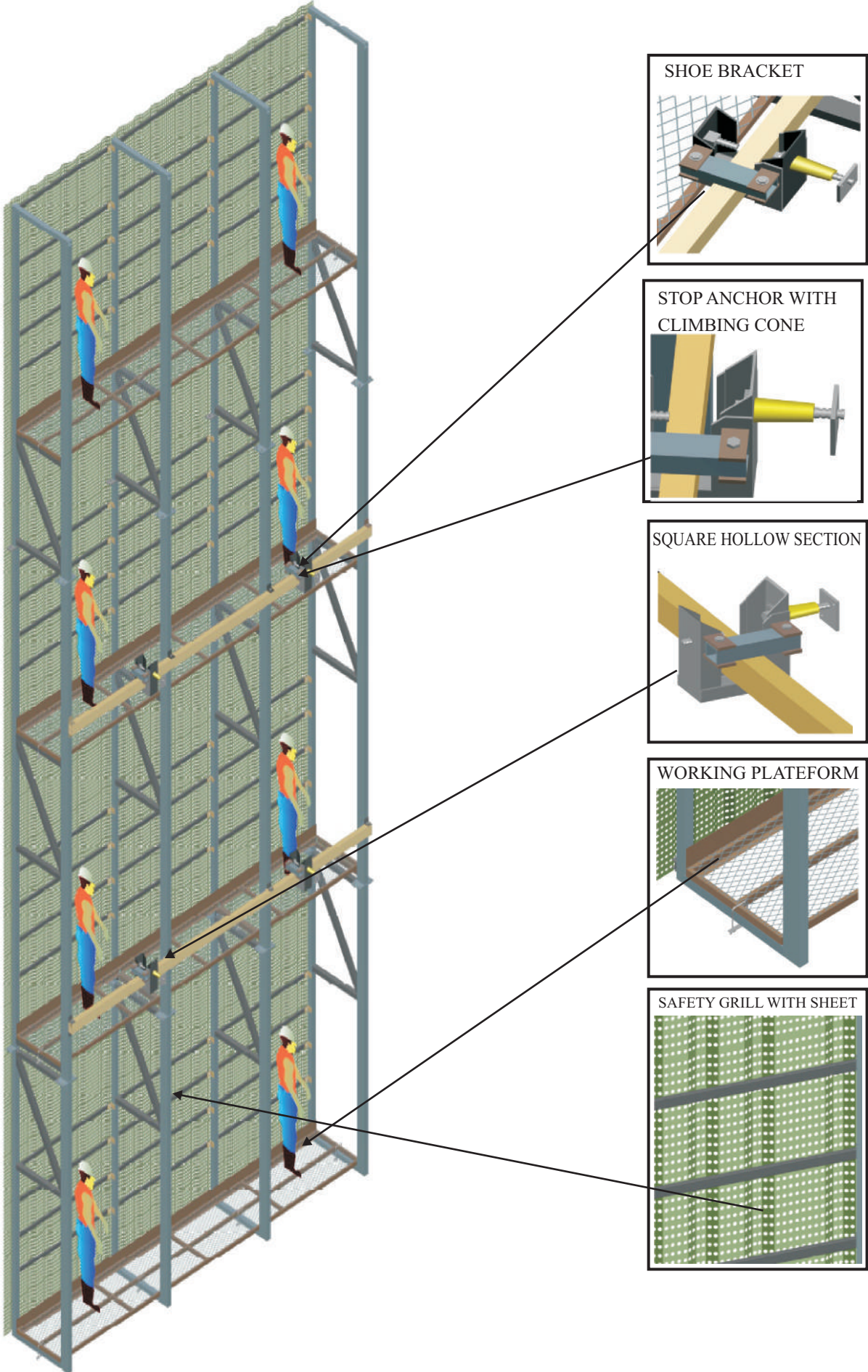
An ISO 9001:2015 certified company having two state-of-the-Art manufacturing units each in Sonipat, Haryana as well as in Pantnagar, Uttarakhand are well supported by in-house Research & Development activities.

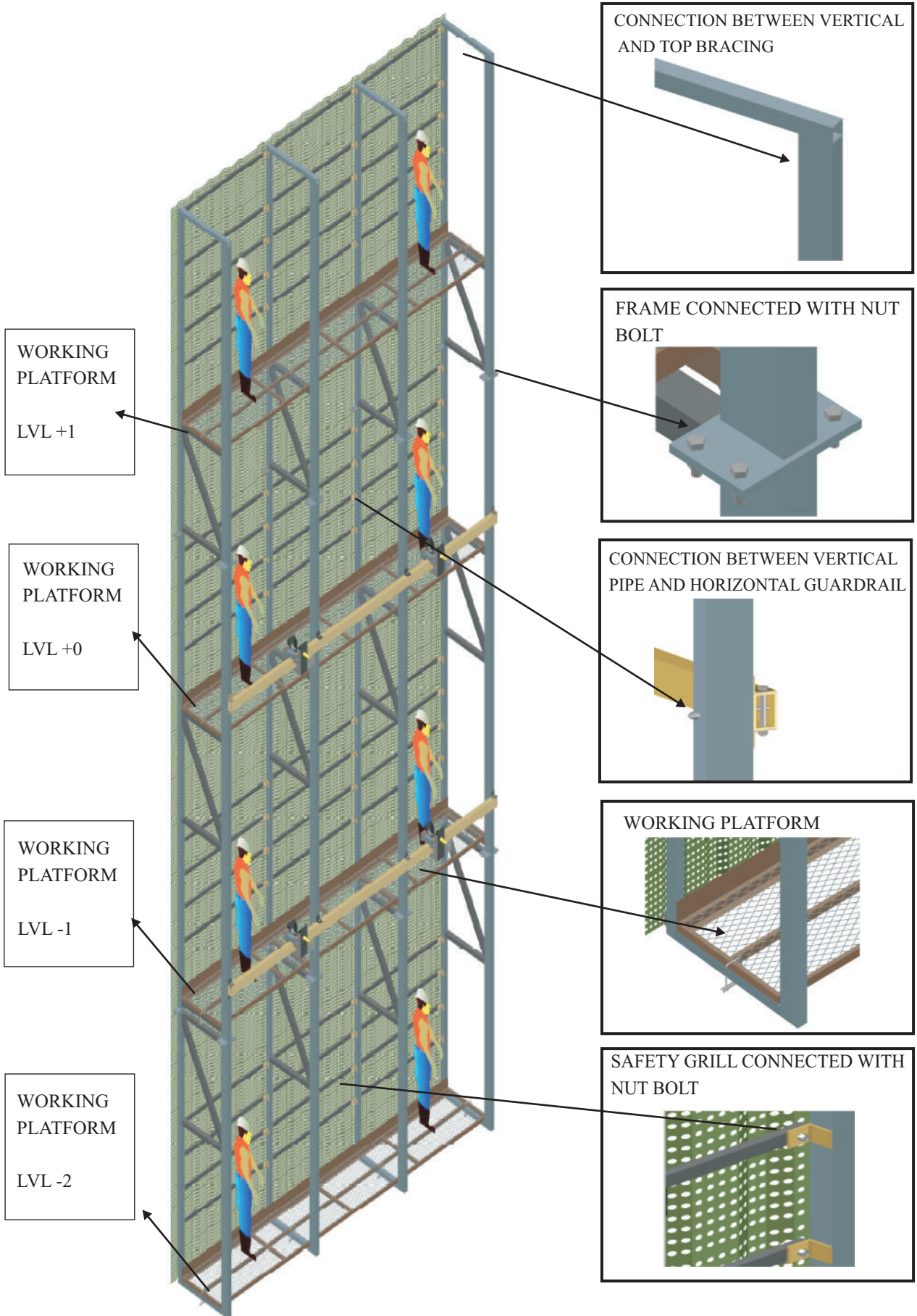
Unimax with continuous innovations using latest technology and System, highly professional project support team committed to provide Formwork System which is not only of high quality but also enables our client to achieve faster slab cycles at competitive prices. We expertise in designing the Formwork system by using high end software such as Staad, Revit and AutoCAD to meet our specific requirement. Today our satisfied clients include some of the reputed corporate builders Developers, and Construction Companies. As a reflection of our Quality, after Sales Services and Customer support, we have been able to retain our client's faith in getting their repeated orders.

Max wind screen is the safe working platform at any height. It is the crane dependent climbing system contains four levels of working platform.

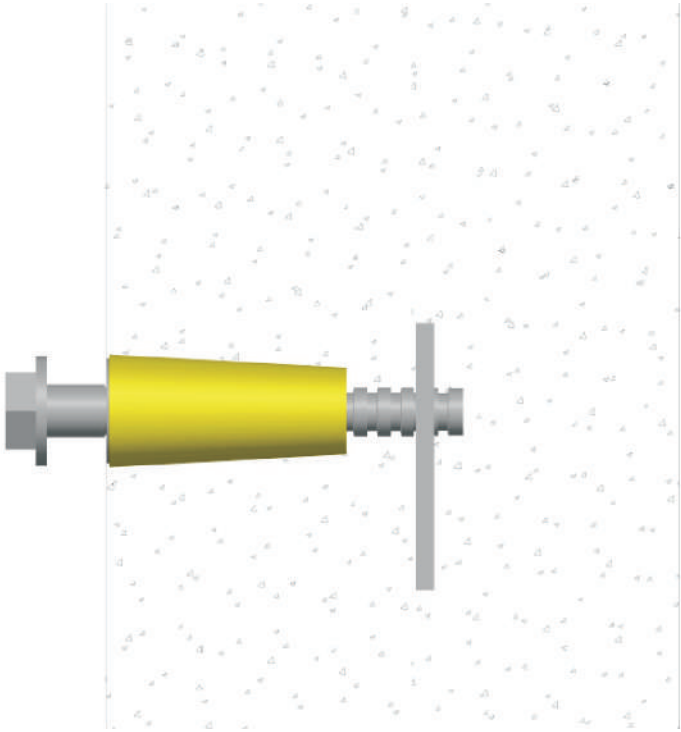


- It is the gapless enclosure protects site-crew from fall hazards, wind and weather.
- Protection against items being dropped is ensured by horizontal and vertical sealing – even during the lifting operation.
- Can be adapted to any shape of layout
- Working platforms can be relocated to accommodate non-constant storey heights
- Higher productivity, from an enhanced feeling of safety
- The suspended platform at the bottom helps to close all the tie rod holes and wall tie slots.

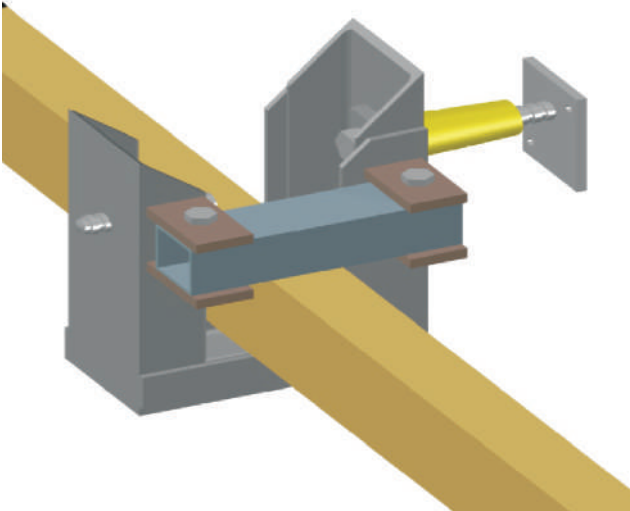




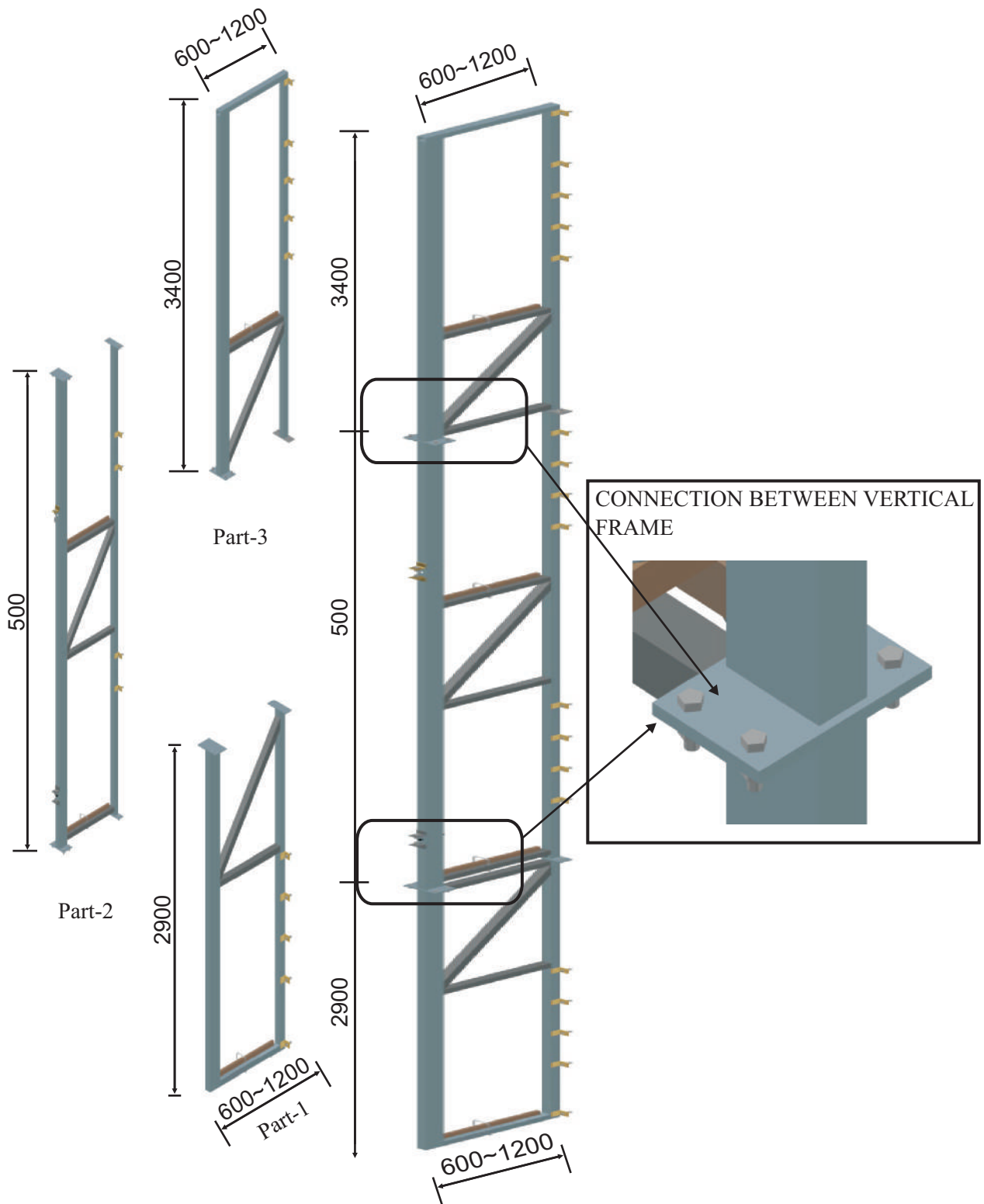
1. STEP-1, FIXING OF STOP ANCHOR ALONG WITH CLIMBING CONE



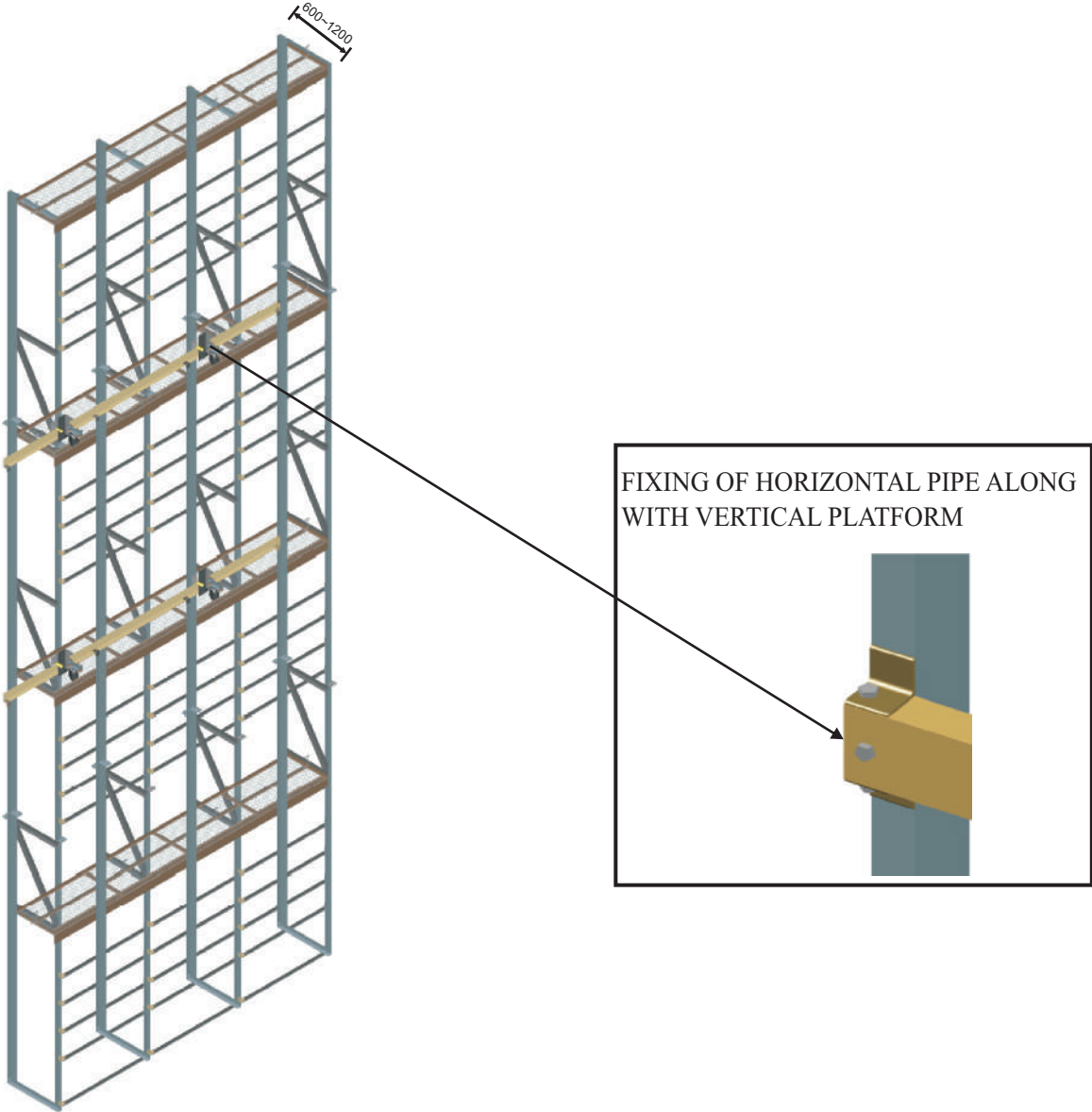
2. STEP-2, FIXING OF SHOE BRACKET



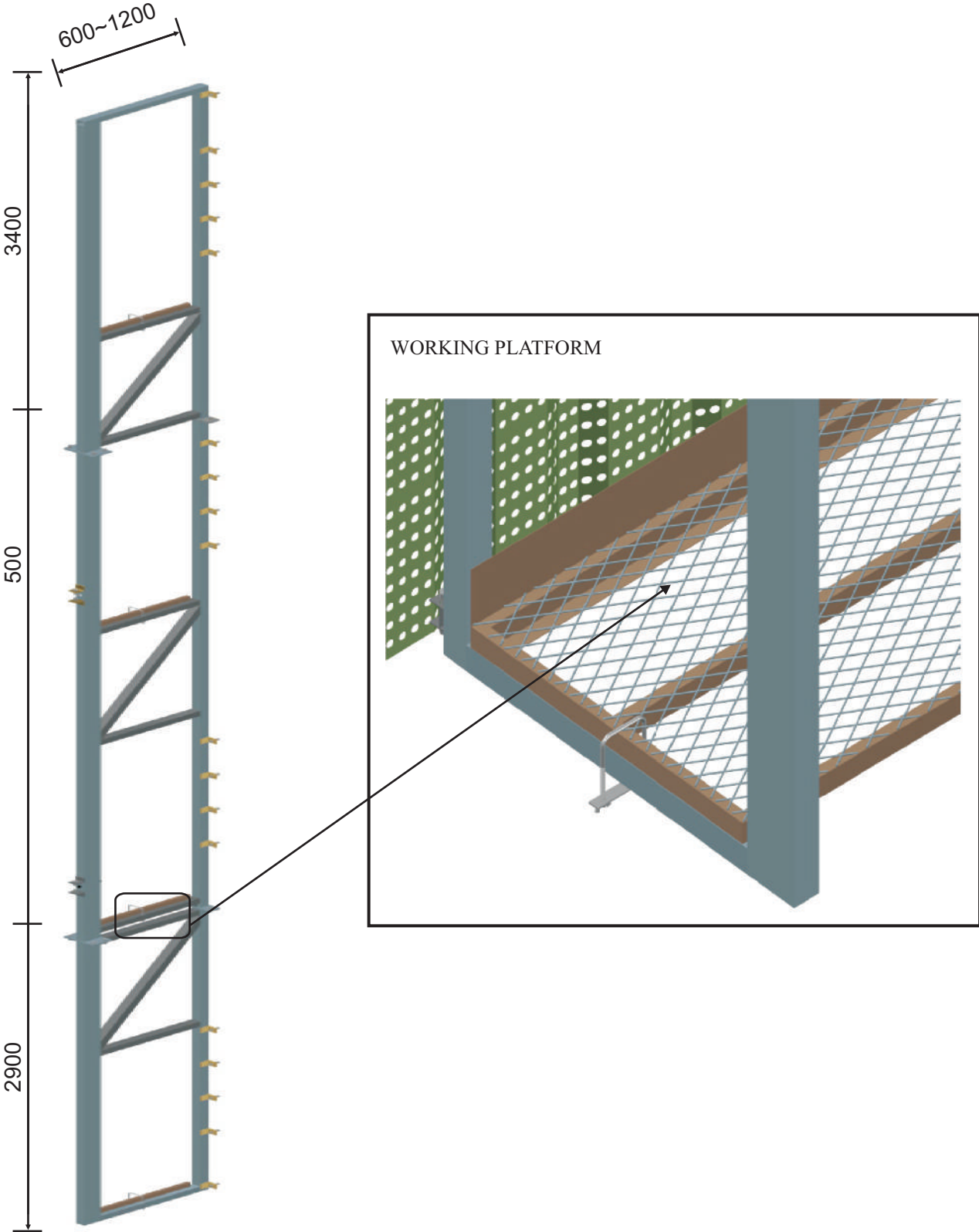
3. STEP-3, ASSEMBLY OF FRAME



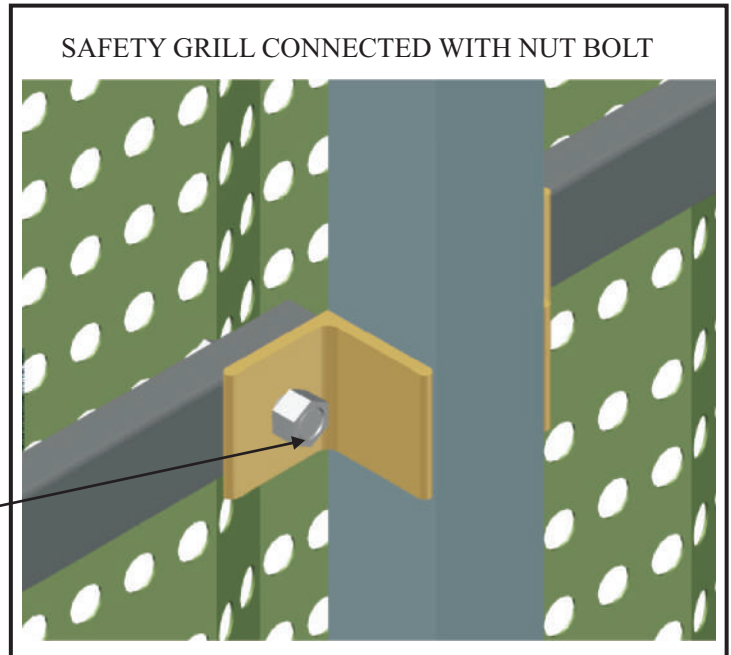
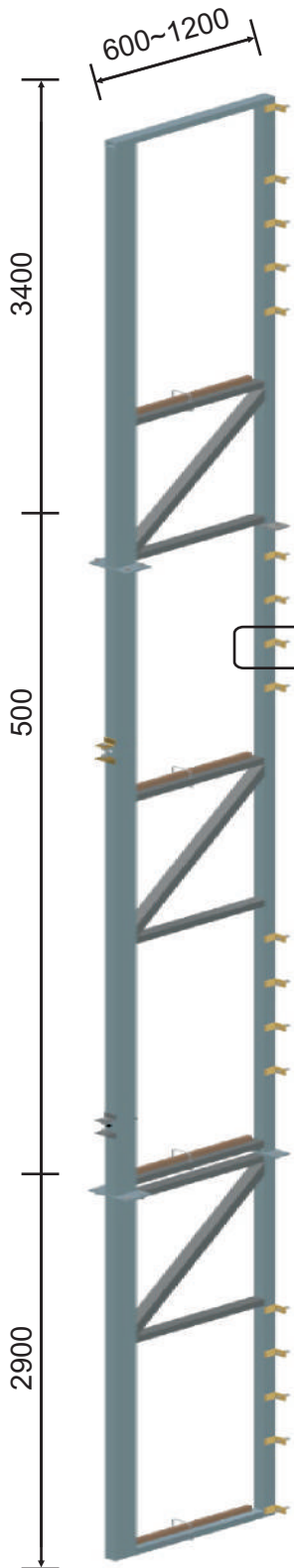
4. STEP-4, FIXING OF 100X50 HOLLOW SECTION



5. STEP-5, FIXING OF WORKING PLATFORM



6. STEP-6, FIXING OF SAFETY GRILL



Assembling process



Assembling of Wind Screen



Fixing of Frame



Fixing of Platform



Fixing of Safety Grill

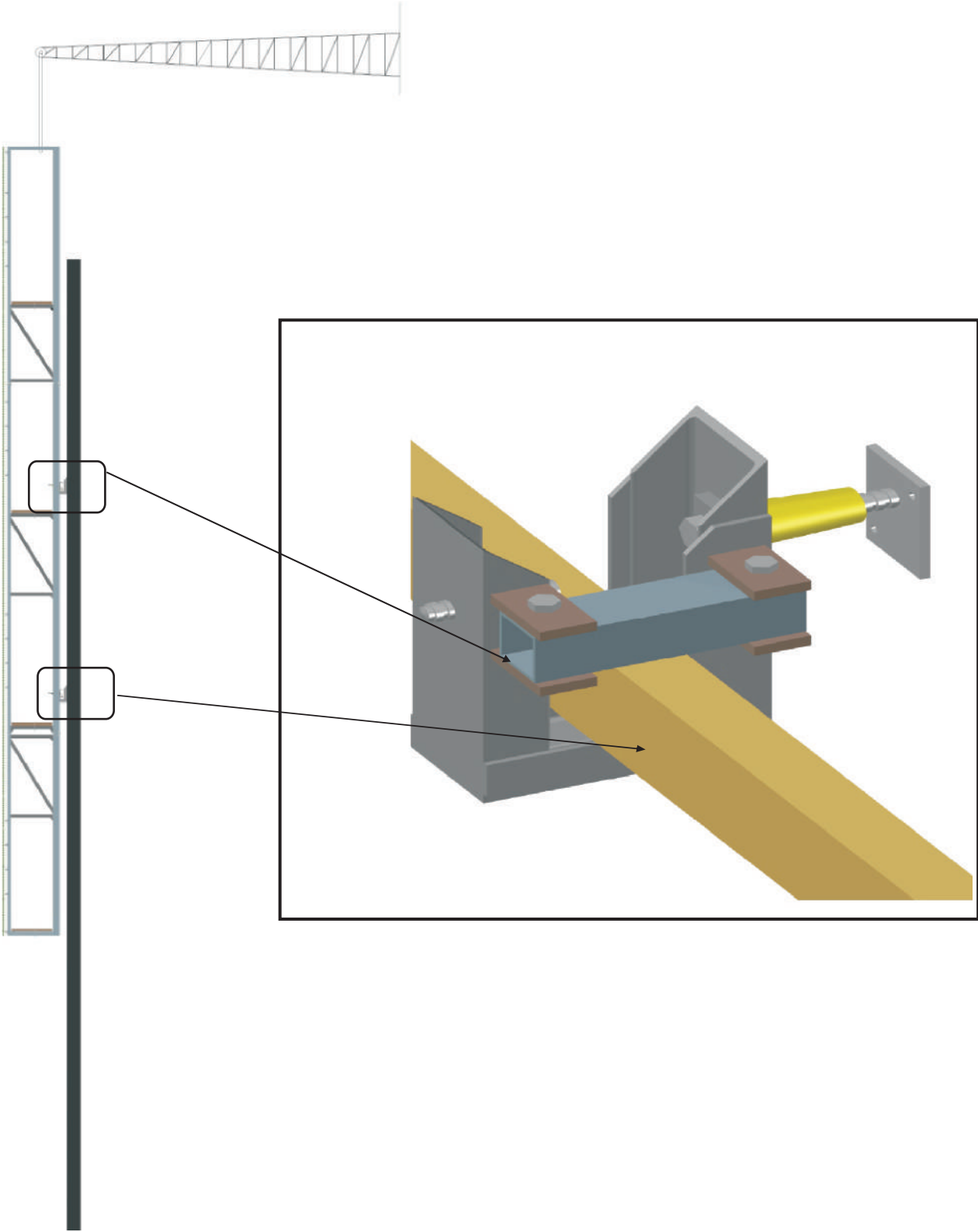


Fixing of Perforated Sheet



Working Platform

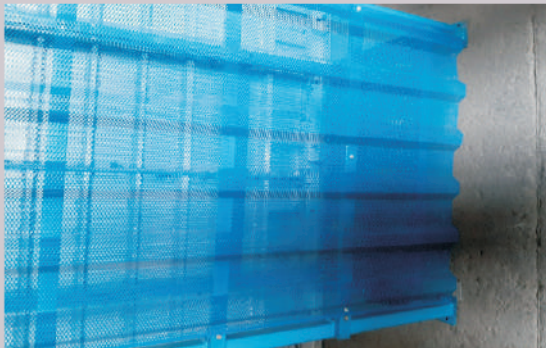
7. STEP-7, FIXING OF WIND SCREEN WITH STRUCTURE



Assembling process



Fixing of Hanging Channel



Perforated Sheet



Fixing of Wind Screen

Notes



Notes



Notes



Notes





MAX GROUP

PERFECTION WITH PASSION

UNIMAX INTERNATIONAL

Works :

Plot No. 1&10, Sector 7, SIDCUL, Integrated Industrial Estate Rudrapur, Uttarakhand (India)

Mob : +91 9759003519

Head Office :

Pocket G-21, Plot No 312, Rohini Sector - 7
New Delhi- 110085

Mob : +91 9650233944

Regional Offices

RAI (Haryana)

Plot No. 1291-92 & 1293-94, HSIIDC Industrial Area, Rai Sonipat, Haryana -131029.

Bangalore (Karnataka)

Plot No.248, Obadenahalli Industrial Area, Doddaballapura 3rd Phase, Bangalore-561203

Hyderabad (Telangana)

Plot No. 44/ Part 45 & 46, Gopanpally Village, Serilingampally Mandal, Ranga Reddy, Dist. Hyderabad (TS)-131029.

PUNE (Maharashtra)

59/3, Opp. Ambekar Hotel, Pisoli Under Bypass Road, Undri Tal - Haveli, Pune Maharashtra - 411060

Mumbai (Maharashtra)

Plot No 149, Old Khopoli Road, Ajivali Village, Panvel, Navi Mumbai - 410206

Vijayawada (Andhra Pradesh)

Plot No. 241, Auto Nagar Industrial area, Mangalagiri, Guntur, Dist. Andhra Pradesh-522503

Sales : +91 9810298430, +91 9717392200/01 **Direct :** +91 9810598450, +91 9810598430

E-mail - info@maxformwork.com, info@unimaxformwork.com, nitin@maxformwork.com

Website - www.maxformwork.com

*Due to continuous improvement in products; specifications & data are subject to change without prior notice